

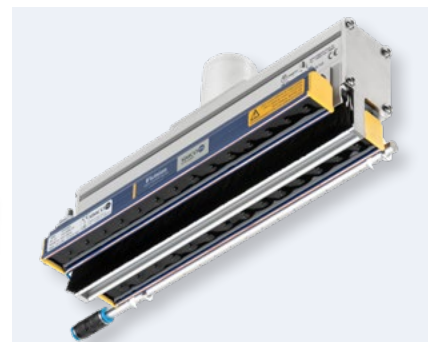
IONCLEAN 045

The cleaning system IONclean 045 is a modular system and can be optimally adapted to your needs. In front of and behind the suction slot you can choose between the attachments air tube, brush or orifice plate.

Depending on the application, you can choose from three different ultramodern ionizing units which are placed behind the extraction unit as standard.

If necessary, a second ionization unit can be placed in front of the extraction slot.

For a permanently optimum result, you can monitor the following values: Compressed air, ionization, negative pressure and air speed in the suction.



INFO

- ▶ Contactless cleaning
- ▶ Loosening and suction of the dirt particles
- ▶ Easy integration into an existing system
- ▶ Mounting via T-slot
- ▶ Residual charge +/- 30 V (with calibration)
- ▶ Monitoring of ionization
- ▶ Optional parameter monitoring of compressed air and suction
- ▶ Optionally available in ATEX version

SCOPE OF DELIVERY

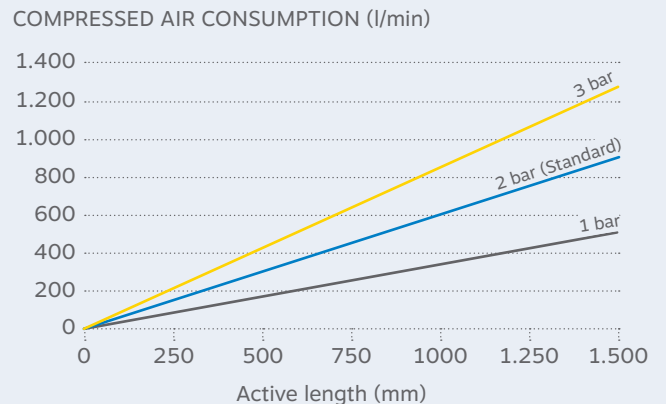
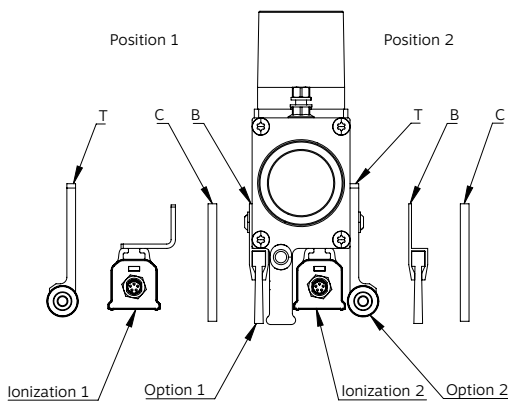
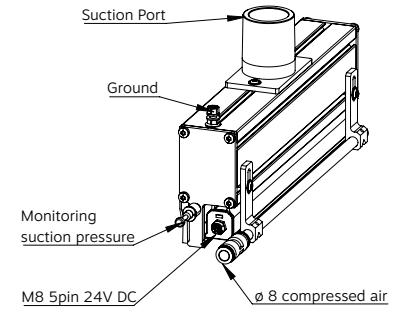
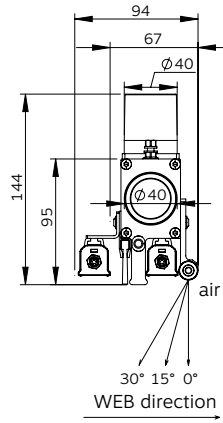
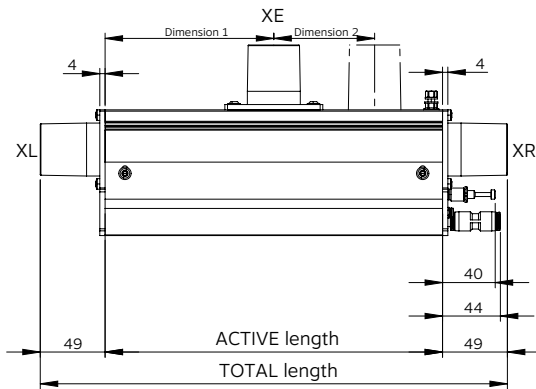
- ▶ Cleaning hood
- ▶ Connection set for compressed air with ball valve

OPTIONS

- ▶ Brush
- ▶ Air tube
- ▶ Orifice plate
- ▶ Ionization: VicinION, EasION or Performax IQ Easy Ex speed

ACCESSORIES

- ▶ Cable M8 5pol.
- ▶ Adapter cable cable M8 to M12 5pol.
- ▶ Power supply plug M12 5pol.
- ▶ Filter pressure regulator for compressed air
- ▶ Filter pressure regulator for compressed air with pressure monitoring and on-off solenoid valve
- ▶ Dust collector
- ▶ Monitoring of the suction speed
- ▶ Monitoring of the vacuum of the suction
- ▶ Pipe bend D40 on suction connection
- ▶ Hose set
- ▶ Pipe bend D40, D60 for hose set



IONclean 045	0210	R	X	V	B	T	XE	Connection side	Option position 1/2
Type IONclean 045	active length 255 mm	Connection side R = right	Ionization 1 X = none, Ionization position 1	Ionization 2 V = VicinION, Ionization position 2	Option 1 B = brush	Option 2 T = air tube	Exhaust connection XE = above	L left R right	B brush T air tube C cover X none
								Ionization 1/2	Exhaust connection
								V VicinION A Performax IQ Easy Ex speed E EasION X none	XL left XR right XE above LR left/right

HOW TO GENERATE THE ORDER NUMBER OF YOUR INDIVIDUALLY CONFIGURED ZIEGENER+FRICK PRODUCT.

Active working width	Number of suction connections	Active length grid	Material speed	Operating voltage	Operating pressure	Ionization	Operating temperature	Cable length
mm	Pieces	mm	m/min	V DC	bar	Type	°C	m
0255 - 0497	1	17	< 300	24	1-3 [2 Standard]	V	0 - 55	05/10
0514 - 0894	2	17	< 300	24	1-3 [2 Standard]	V	0 - 55	05/10
0911 - 1032	3	17	< 300	24	1-3 [2 Standard]	V	0 - 55	05/10
1066 - 1204	3	35	< 300	24	1-3 [2 Standard]	V	0 - 55	05/10
1239 - 1584	4	35	< 300	24	1-3 [2 Standard]	V	0 - 55	05/10