

IONCLEAN 045

The cleaning system IONclean 045 is a modular system and can be optimally adapted to your needs. In front of and behind the suction slot you can choose between the attachments air tube, brush or orifice plate.

Depending on the application, you can choose from three different ultramodern ionizing units which are placed behind the extraction unit as standard.

If necessary, a second ionization unit can be placed in front of the extraction slot.

For a permanently optimum result, you can monitor the following values: Compressed air, ionization, negative pressure and air speed in the suction.



INFO

- ▶ Contactless cleaning
- ▶ Loosening and suction of the dirt particles
- ▶ Easy integration into an existing system
- ▶ Mounting via T-slot
- ▶ Monitoring of ionization
- ▶ Optional parameter monitoring of compressed air and suction
- ▶ Optionally available in ATEX version

SCOPE OF DELIVERY

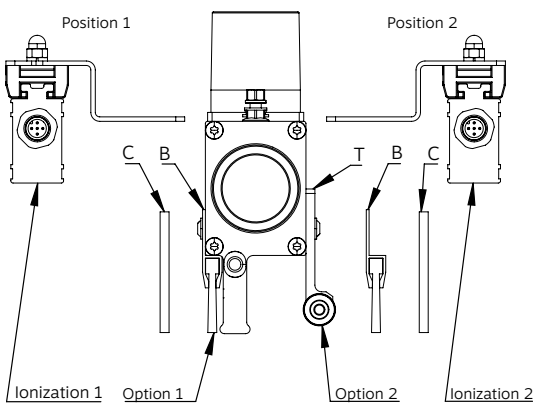
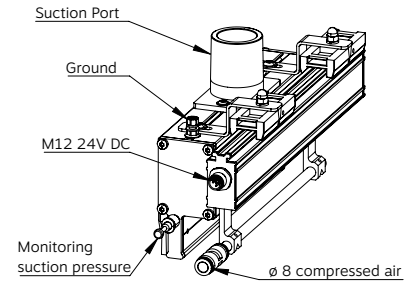
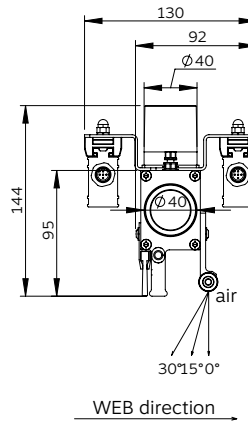
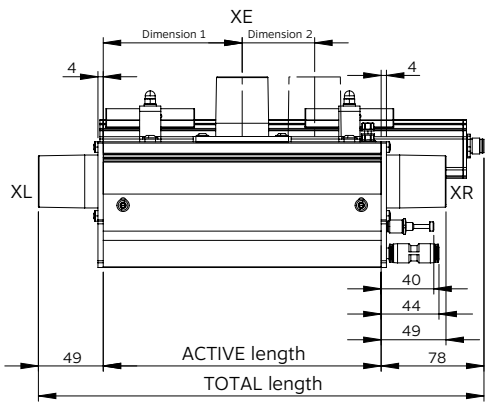
- ▶ Cleaning hood
- ▶ Connection set for compressed air with ball valve

OPTIONS

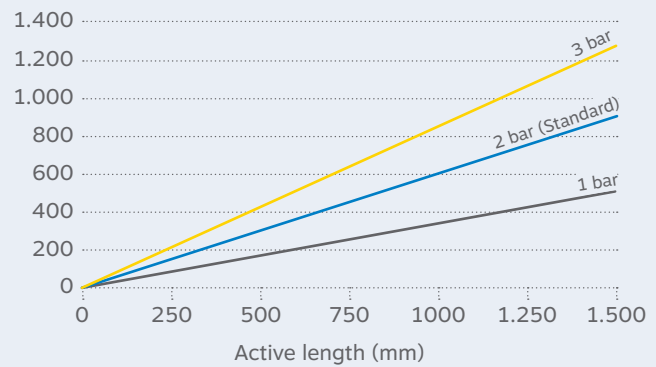
- ▶ Brush
- ▶ Air tube
- ▶ Orifice plate
- ▶ Ionization: VicinION, EasION or Performax IQ Easy Ex speed

ACCESSORIES

- ▶ Cable M12 5pol.
- ▶ Power supply plug M12 5pol.
- ▶ Sensorbar
- ▶ IQ Manager
- ▶ Filter pressure regulator for compressed air
- ▶ Filter pressure regulator for compressed air with pressure monitoring and on-off solenoid valve
- ▶ Dust collector
- ▶ Monitoring of the suction speed
- ▶ Monitoring of the vacuum of the suction
- ▶ Pipe bend D40 on suction connection
- ▶ Hose set
- ▶ Pipe bend D40, D60 for hose set



COMPRESSED AIR CONSUMPTION (l/min)



IONclean 045	0210	R	X	E	B	T	XE
---------------------	-------------	----------	----------	----------	----------	----------	-----------

Type IONclean 045

active length 210 mm

Connection side R = right

lonization 1 X = none, lonization position 1

lonization 2 E = EasiON, lonization position 2

Option 1 B = brush

Option 2 T = air tube

Exhaust connection XE = above

Connection side		Option position 1/2	
L	left	B	brush
R	right	T	air tube
		C	cover
		X	none
lonization 1/2		Exhaust connection	
V	VicinION	XL	left
A	Performax IQ	XR	right
	Easy Ex speed	XE	above
E	EasiON	LR	left/right
X	none		

HOW TO GENERATE THE ORDER NUMBER OF YOUR INDIVIDUALLY CONFIGURED ZIEGENER+FRICK PRODUCT.

Active working width	Number of suction connections	Active length grid	Material speed	Operating voltage	Operating pressure	Ionization	Operating temperature	Cable length
mm	Pieces	mm	m/min	V DC	bar	Type	°C	m
0210 - 0450	1	60	> 500	24	1-3 [2 Standard]	E	0 - 55	05/10
0510 - 0870	2	60	> 500	24	1-3 [2 Standard]	E	0 - 55	05/10
0930 - 1170	3	60	> 500	24	1-3 [2 Standard]	E	0 - 55	05/10
1230 - 1590	4	60	> 500	24	1-3 [2 Standard]	E	0 - 55	05/10