

# Mounting Bracket Kit FMX-004



Simco (Nederland) B.V.  
POBox 71, NL-7240 AB, LOCHEM - Netherlands  
Telephone: +31(0)573 288333 Fax: +31(0)573 257319  
[general@simco-ion.nl](mailto:general@simco-ion.nl)  
[www.simco-ion.nl](http://www.simco-ion.nl)

Reference number	Reference name	Customer	Revision	Revision date	Page
9752070211	MountingBracketFMX-004 Quick Manual	Simco-Ion	0.3	17-07-2014	1 / 1

## Mounting bracket & Analog out cord, 1,8 m long for FMX-004 - part number 3207000300

The mounting bracket kit is used to fix the FMX-004 to a wall or machine frame for continuous measurements. The additional cord is used to connect the analog output of the FMX-004 to a measuring instrument or a data logger.

The 2 slots on the lower side of the FMX-004 are used to mount the instrument on the bracket.

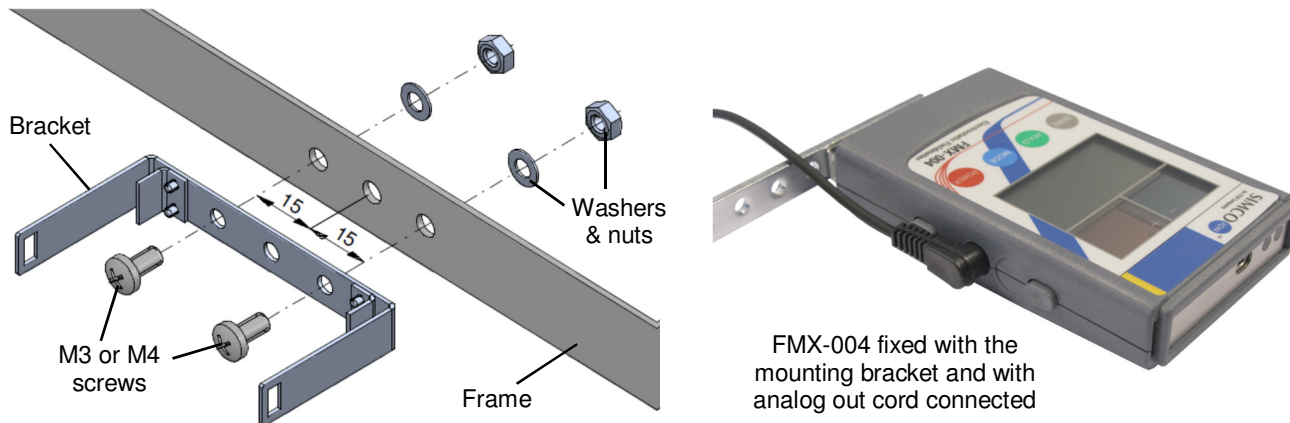


Figure 1, mounting the bracket and the FMX-004



### Note:

**The FMX-004 must not come into contact with (moving) materials when fixed. Refer to the manual of the FMX-004 for instructions for continuous measurement.**

- 1 Determine the exact location where the measurement should take place. Be sure that the FMX-004 can be operated when it is fixed to the bracket.
- 2 Mount the bracket to a stable (machine) frame or wall using suitable M4 mounting screws, washers and nuts.
- 3 Slide the FMX-004 over the bracket using the 2 slots on the lower side of the instrument and ensure that it clicks on the bracket.

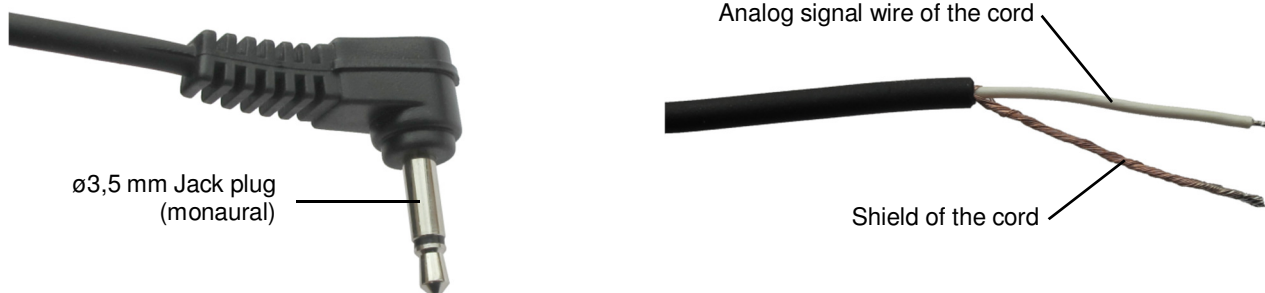


Figure 2, analog out cord terminations

- 4 Connect the cord with the 3,5 mm Jack plug to the FMX-004.
- 5 Connect the shield of the cord to a proper earthed ground potential.
- 6 Connect the analog signal wire to a measuring instrument or data logger.
- 7 Refer to the manual of the FMX-004 for operating instructions.

Table 1, specifications analog output FMX-004

Response time	40 ms
Output voltage	AUTO $\pm 3$ V (2 kV = 0,2 V)
	HI $\pm 3$ V (1 kV = 0,0 V)
	LO $\pm 3$ V (2 kV = 2 V)
	Ion balance $\pm 3$ V (200 V = 2 V)