



Performax IQ Easy

High performance combined with optimal control. This is the new standard for anti-static bars. In combination with the Manager IQ Easy the Performax IQ Easy anti-static bar will ensure a very high efficiency of static neutralisation. Through the Manager IQ Easy it can be set up as a pro-active static neutraliser using the patented Up-stream static charge evaluation technique. Adding a Sensor IQ Easy to the system enhances the efficiency by measuring the downstream residual static charge and regulating the ionisation efficiency in real time to ensure a very low residual static charge.

The glassfiber reinforced profile offers a very rugged structure even up to 5 metres in length. The Performax IQ Easy has an integrated high voltage power supply and requires only a low voltage input of 24V DC. It is equipped with a standard M12 connector for the 24V DC input. Two 3 colour high brightness LED visualises bar ON (green), WARNING (orange) or bar ALARM (red). The Performax IQ Easy bar has light slanted ends and protection classification IP66 which allows easy cleaning. Universal mounting brackets are supplied for various mounting options.

Performax IQ Easy anti-static bars are available in two variations:

- 1):** Standard, for all applications with a working distance between 100 and 500 mm
- 2):** Speed, for high speed applications. Working distance 50 to 500 mm

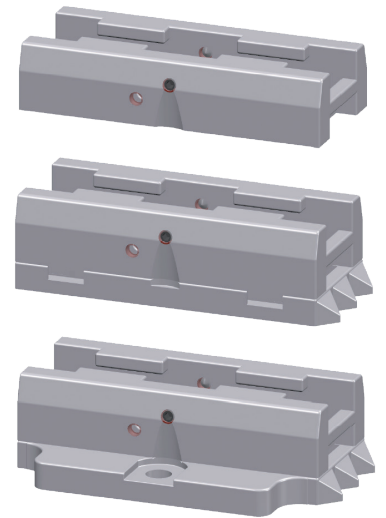
Features

- Incorporated high voltage power supply, input voltage 24V DC
- Efficiency indication
- Cleaning indication
- Pro-active neutralisation
- Standard M12 connector, straight or angled
- Rugged glassfiber reinforced plastic extrusion
- Designed for industrial use and easy cleaning; (protection classification IP66)
- Universal mounting brackets

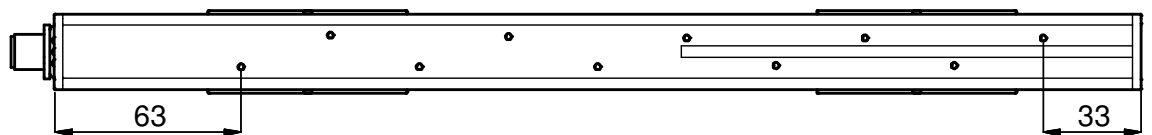
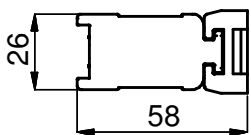


Technical specifications

Performax IQ Easy													
Working distance	Performax IQ Easy: 100-500 mm Performax IQ Easy speed: 50-500 mm												
Housing material	Glassfiber reinforced plastic.												
Emmitter pins	Special alloy												
Cable	Low voltage cable												
Connector	Standard M12												
Weight	1,25 kg/m												
Ambient temperature	0-55 °C												
Use circumstances	Industrial												
U primary	24 V DC, <0,5 A												
Protection classification	IP66												
Suitable power unit	Intergrated, 24V DC voltage input												
Indication	Hight bright LED green/orange/red												
Signalling	<table border="0"> <tr> <td></td> <td>Continius</td> <td>Flashing</td> </tr> <tr> <td>Green</td> <td>In operating</td> <td>Standby</td> </tr> <tr> <td>Orange</td> <td>Warning</td> <td></td> </tr> <tr> <td>Red</td> <td>Alarm</td> <td></td> </tr> </table>		Continius	Flashing	Green	In operating	Standby	Orange	Warning		Red	Alarm	
	Continius	Flashing											
Green	In operating	Standby											
Orange	Warning												
Red	Alarm												
IO signals	Serial communication with the Manager IQ Easy Power via Manager IQ Easy												
Options	Stand alone operation Desktop power supply (100-240 V / 24 V) Din rail power supply (100-240 V / 24 V)												



Universal mounting brackets



Technical drawing Performax IQ Easy

SIMCO ION™

An ITW Company
Performax IQ Easy_PS_GB
©Simco-Ion - All rights reserved.
Specifications are subject to change without notice.

Simco-Ion Netherlands

Postbus 71
Lochem, The Netherlands NL-7240 AB
Tel: +31 (0)573 288333
Fax: +31 (0)573 257319
general@simco-ion.nl
www.simco-ion.nl