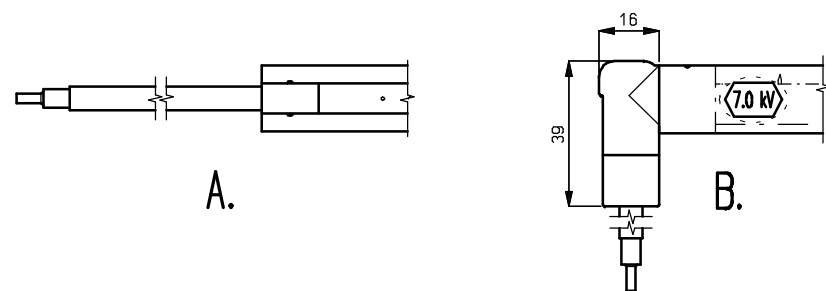
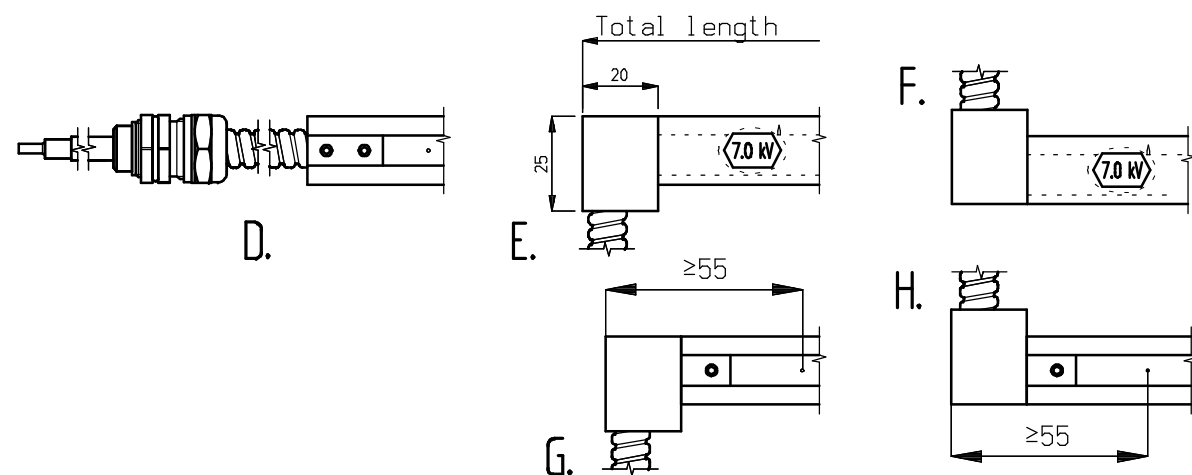


Cable exit options:

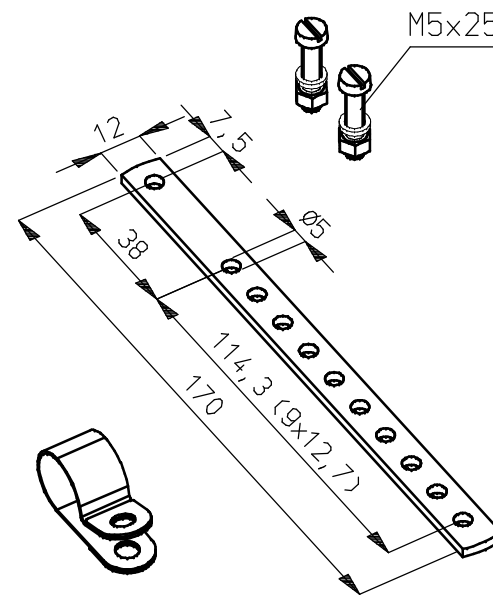
(With standard HV-cable)



(With shielded HV-cable)

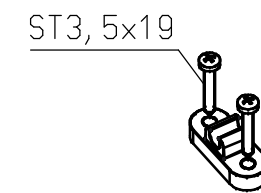


Mounting materials included

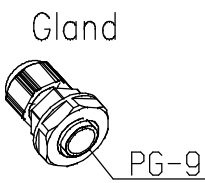


Mounting bracket
Each bar 2 bracket and 2 clamps
(include screws)

Standard HV-cable



Amount of cable clamps =
(cable length(m)x4)-1



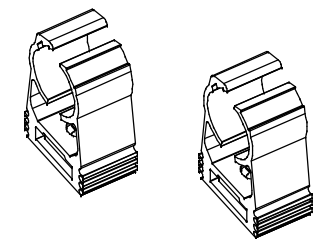
Shielded HV-cable



Amount of cable clamps =
(cable length(m)x2)-1

Option

Bar mounting clamps
only available on
request, in
combination with
shielded HV-cable.
Part no. 5031485138



Including:
Mounting nuts/screws M6

SIMCO ION An ITW Company www.simco-ion.nl Tel: +31 (0)573 288333		Name: Anti Static Bar type MEJ				Drawn: MVN	Part no.: —
CAD generated NOT updated	Dimensions in mm	Date: 20-4-2011	A3	M: 1:1	ECN2011-029	Check: -	Dwg. no.: 15050000/A