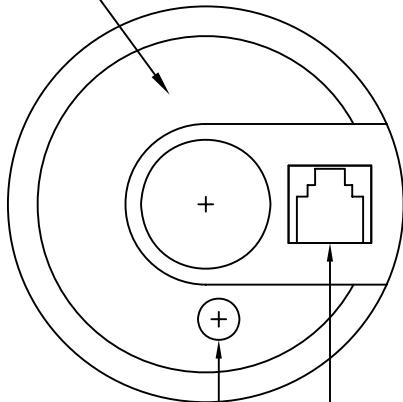
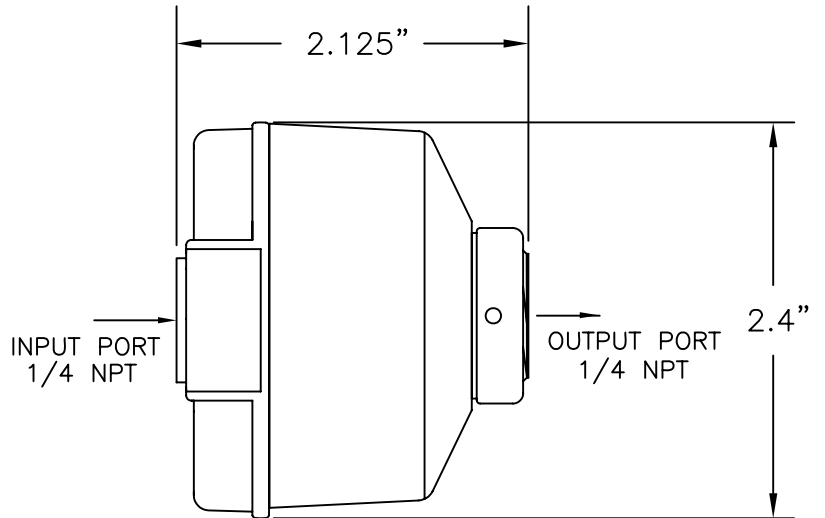


BACK PLATE



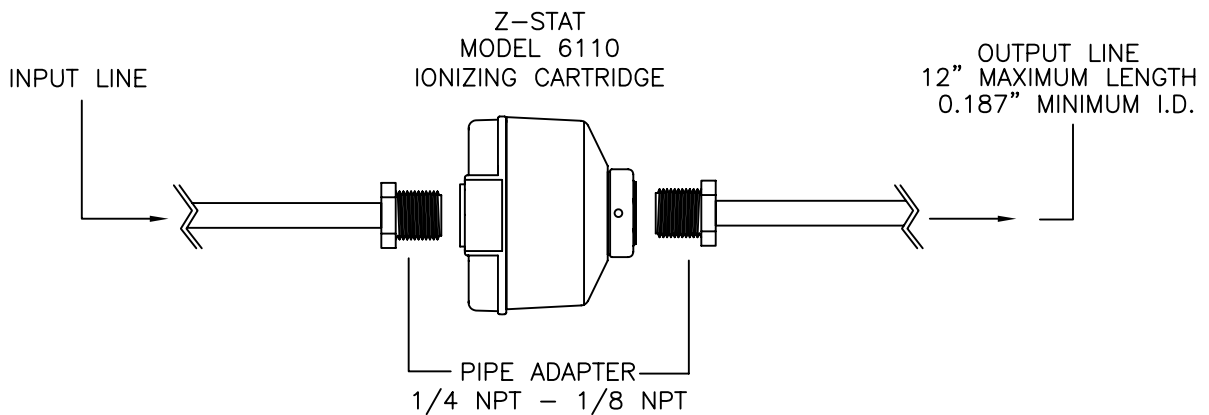
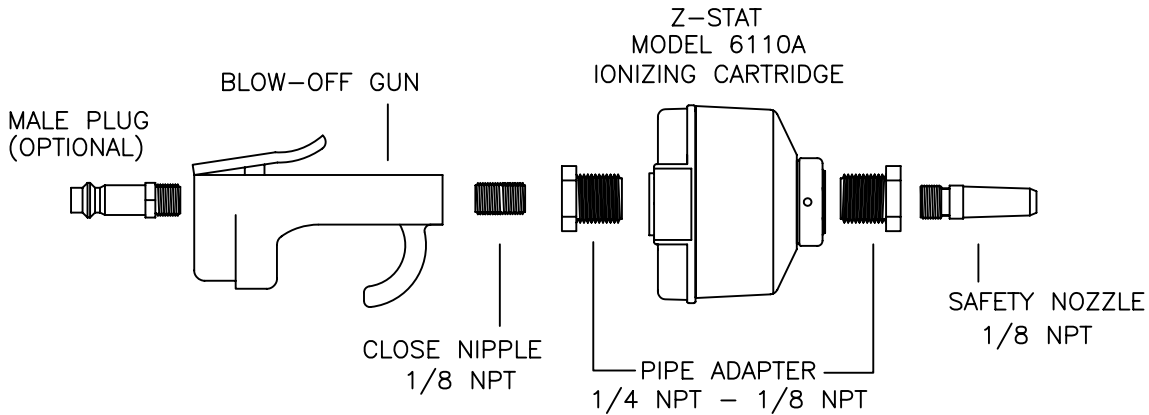
INDICATOR LED

POWER CONNECTOR



INPUT PORT
1/4 NPT

OUTPUT PORT
1/4 NPT



REV. B 8/23/94 ECO #0522 CHANGE IN/OUT FITTINGS TO 1/4NPT-1/8NPT

UNLESS OTHERWISE SPECIFIED:

TOLERANCE:
0.XX ±0.010"
0.XXX ±0.005"
XX* ±3*

INCHES [mm]
BREAK ALL SHARP EDGES
REMOVE ALL BURRS.

BY: _____ DATE: 4/19/95
ENGINEER _____
CHECKED _____
APPROVED _____
ALL INFORMATION, DATA, DESIGNS, AND DRAWINGS ARE PROPRIETARY AND THE PROPERTY OF ION SYSTEMS. NO COPIES OR REPRODUCTIONS ARE PERMITTED AND NO DISCLOSURE TO OUTSIDE PARTIES IS ALLOWED WITHOUT SPECIFIC WRITTEN CONSENT

ION SYSTEMS
1750 N. LOOP RD., ALAMEDA, CA 94502
(510) 217-0600 FAX(510) 217-0484
TITLE: Z-STAT 6110a/6110 MTG EXAMPLE
PRODUCT: #91-6110a/6110 CARTRIDGE
PATH: DOCUEMNT\DRAWINGS\
DRAWING NO. 6110EX1B
REV B
SCALE = NONE SHEET: 1/1